

## »» Features

- Low Profile 15.7mm w/ fasten terminals.
- High Rating 17A 277VAC.
- High temperature withstand up to 125°C .
- UL/CUL 、CSA 、VDE 0700 approvals.



## »» Type List

Terminal style	Contact form	UL Insulation system approval	Designation (provided with)		
			Flux tight	Sealed type	Sealed type washable
WP1 (High power type, Quick terminal & PCB terminals)- 5.0mm pitch	1A (SPNO)	F	881WP1-1AC-F-C	881WP1-1AC-F-V	881WP1-1AC-F-S
WP2 (High power type, Quick terminal & PCB terminals)- 7.5mm pitch	1A (SPNO)	F	881WP2-1AC-F-C	881WP2-1AC-F-V	881WP2-1AC-F-S
WP3 (High power type, Quick terminal & PCB terminals)- 5.0mm pitch	1A (SPNO)	F	881WP3-1AC-F-C	881WP3-1AC-F-V	881WP3-1AC-F-S
WP4 (High power type, Quick terminal & PCB terminals)- 7.5mm pitch	1A (SPNO)	F	881WP4-1AC-F-C	881WP4-1AC-F-V	881WP4-1AC-F-S

## »» Ordering Information

881 WP1 - 1A C - F - C E  
 1 2 3 4 5 6 7

- |                                                                                                                                                                                                                                                                                                                                                                                                                                              |                                                                                                                                                                                                                                                                            |
|----------------------------------------------------------------------------------------------------------------------------------------------------------------------------------------------------------------------------------------------------------------------------------------------------------------------------------------------------------------------------------------------------------------------------------------------|----------------------------------------------------------------------------------------------------------------------------------------------------------------------------------------------------------------------------------------------------------------------------|
| <p>1. 881 -- Basic series designation</p> <p>2. WP1 -- High power type w/quick connect &amp; PCB terminals - 5.0mm pitch</p> <p>WP2 -- High power type w/quick connect &amp; PCB terminals - 7.5mm pitch</p> <p>WP3 -- High power type w/horizontal quick connect &amp; PCB terminals - 5.0mm pitch</p> <p>WP4 -- High Power type w/horizontal quick connect &amp; PCB terminals - 7.5mm pitch</p> <p>3. 1A -- Single pole normally open</p> | <p>4. C -- Contact material AgNi</p> <p>CA -- Contact material AgNi + Au</p> <p>5. Blank -- Standard type</p> <p>F -- Class F</p> <p>6. C -- Flux tight</p> <p>V -- Sealed type</p> <p>S -- Sealed type washable</p> <p>7. Blank -- Standard type</p> <p>E -- CTI 250V</p> |
|----------------------------------------------------------------------------------------------------------------------------------------------------------------------------------------------------------------------------------------------------------------------------------------------------------------------------------------------------------------------------------------------------------------------------------------------|----------------------------------------------------------------------------------------------------------------------------------------------------------------------------------------------------------------------------------------------------------------------------|

# 881WP

## »» Contact Rating

Rated load (resistive)	17A 240VAC
Max. switching current	17A
Max. switching voltage	277VAC
Max. switching capacity	4080VA

## »» Coil Rating (DC)

Rated voltage (V)	Rated current $\pm 10\%$ at 23 °C (mA)	Coil resistance at 23 °C ( $\Omega$ )	Max. continuous voltage at 105 °C	Pick up voltage(Max) at 23 °C	Drop out voltage(Min) at 23 °C	Power consumption at rated voltage
5	80	62 $\pm 10\%$	110 % of rated voltage	70 % of rated voltage	10 % of rated voltage	approx. 0.4W
6	67	90 $\pm 10\%$				
9	44	203 $\pm 10\%$				
12	33	360 $\pm 10\%$				
18	23	771 $\pm 10\%$				
24	17	1440 $\pm 10\%$				
36	11.1	3240 $\pm 10\%$				
48	8.7	5520 $\pm 10\%$				
60	8	7340 $\pm 15\%$				

## »» Specification

Contact material	AgNi alloy	
Contact resistance <sup>(1)</sup>	100m $\Omega$ Max.	
Operate time <sup>(1)</sup>	20ms Max.	
Release time <sup>(1)</sup>	10ms Max.	
Insulation resistance <sup>(1)</sup>	1000M $\Omega$ Min. (DC 500V)	
Surge voltage withstand <sup>(1)</sup>	Between contact and coil : 10KV (1.2X50) $\mu$ S	
Dielectric strength <sup>(1)</sup>	Between open contact	: AC 1000V, 50/60Hz 1 min.
	Between contact and coil	: AC 5000V, 50/60Hz 1 min.
Vibration resistance	Operating extremes	10~55Hz , amplitude 1.5 mm
	Damage limits	10~55Hz , amplitude 1.5 mm
Shock resistance	Operating extremes	10G
	Damage limits	100G
Life expectancy	Mechanical	30,000,000 operations (frequency 72,000 operations /hr)
	Electrical	100,000 operations (frequency 360 operations /hr)
Operating ambient temperature	-40~+105 °C (no freezing) <sup>(2)</sup>	
Weight	Approx. 13 g	

Note : (1) initial value

(2) special version of high temperature 125 °C can be selected.

## »» Safety Approval

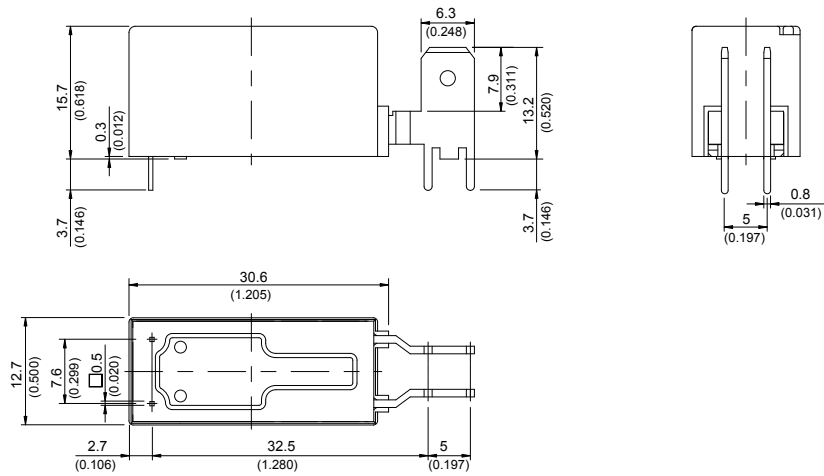
Certified	UL / CUL	VDE
File No.	E88991	132905

## »» Safety Approval Rating

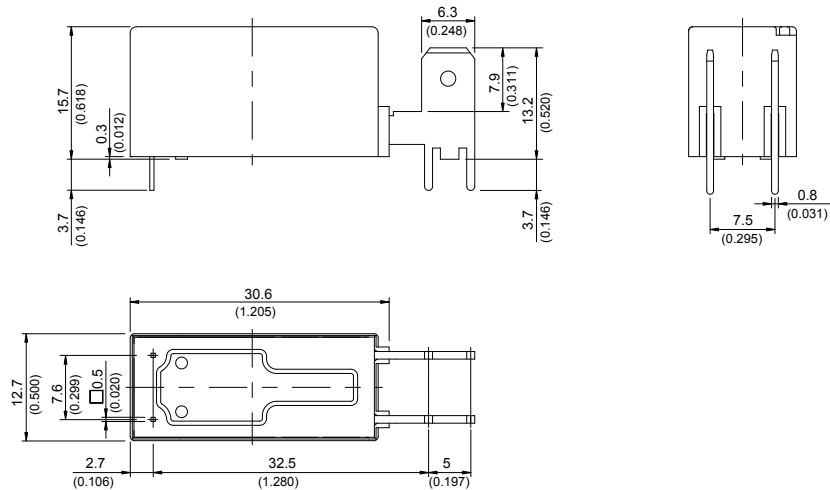
UL / CUL	VDE
17A 277VAC	12A 250VAC T125
12A 277VAC	17A 250VAC T105

## »» Outline Dimensions

### ◆881WP1

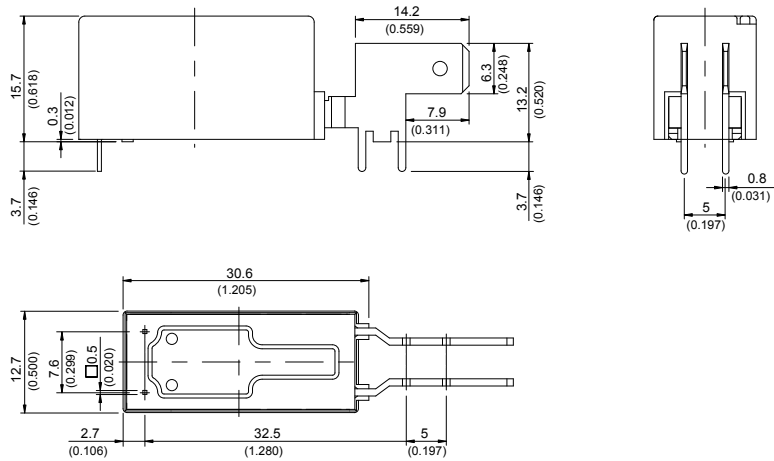


### ◆881WP2

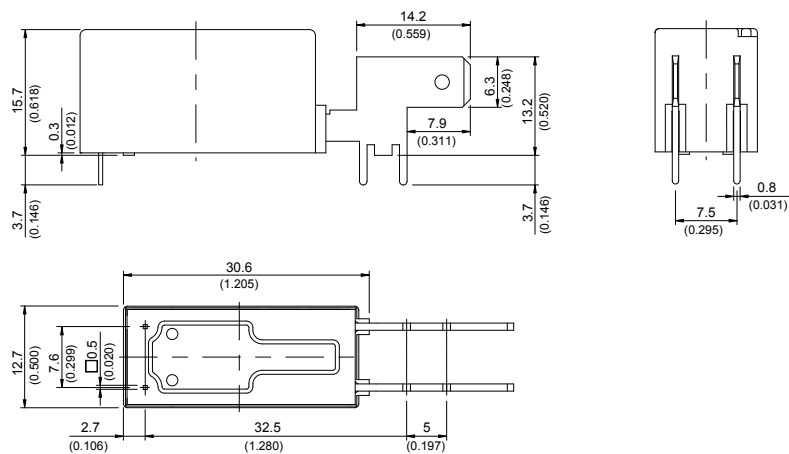


# 881WP

◆881WP3



◆881WP4

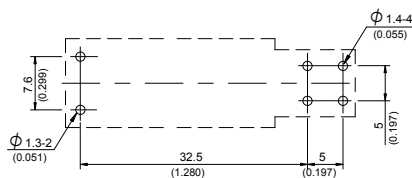


»» Wiring Diagram  
BOTTOM VIEW

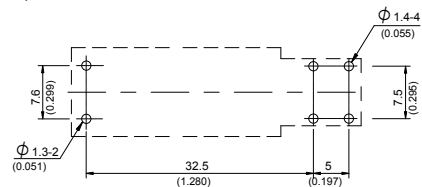


»» PC Board Layout  
BOTTOM VIEW

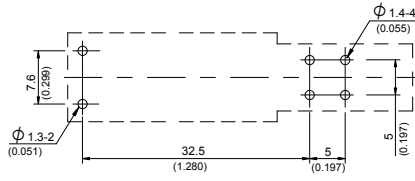
◆881WP1



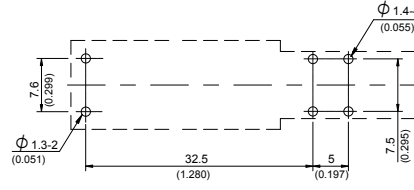
◆881WP2



◆881WP3



◆881WP4



»» Engineering Data

